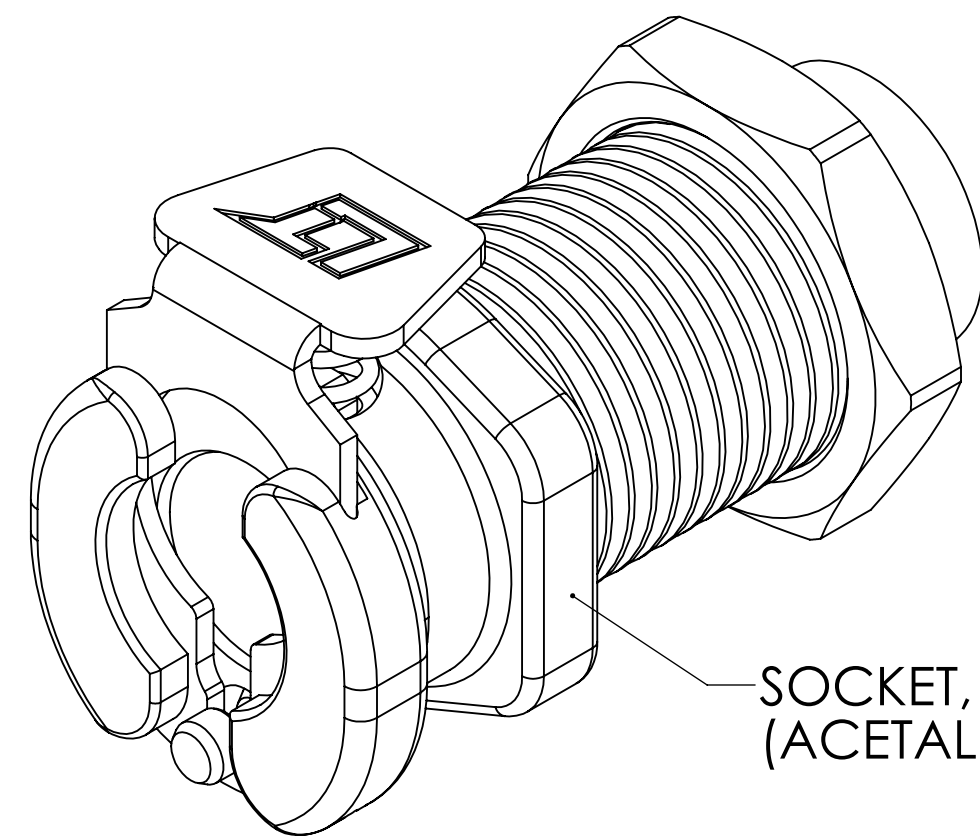
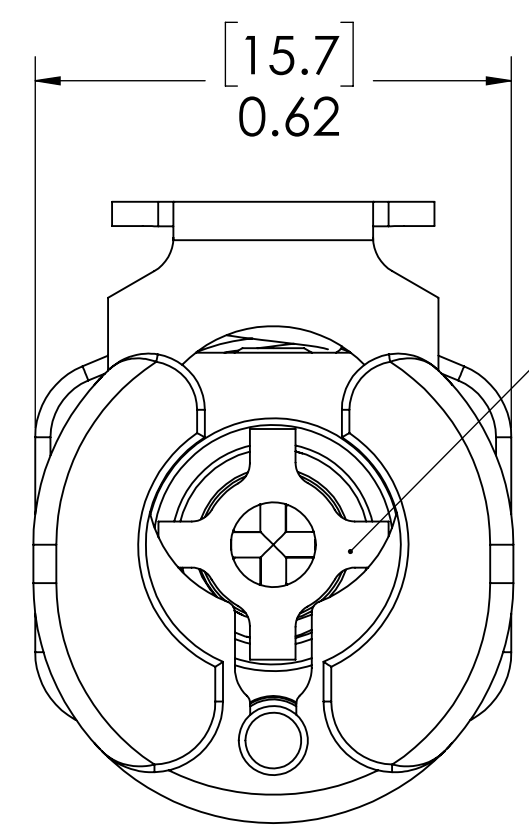


REVISIONS						
SHEET	ZONE	REV.	ECO	DESCRIPTION	DATE	APPROVED
1	ALL	A	50242	VP SPRING AND LATCH PIN UPDATE	5/17/2017	HRC

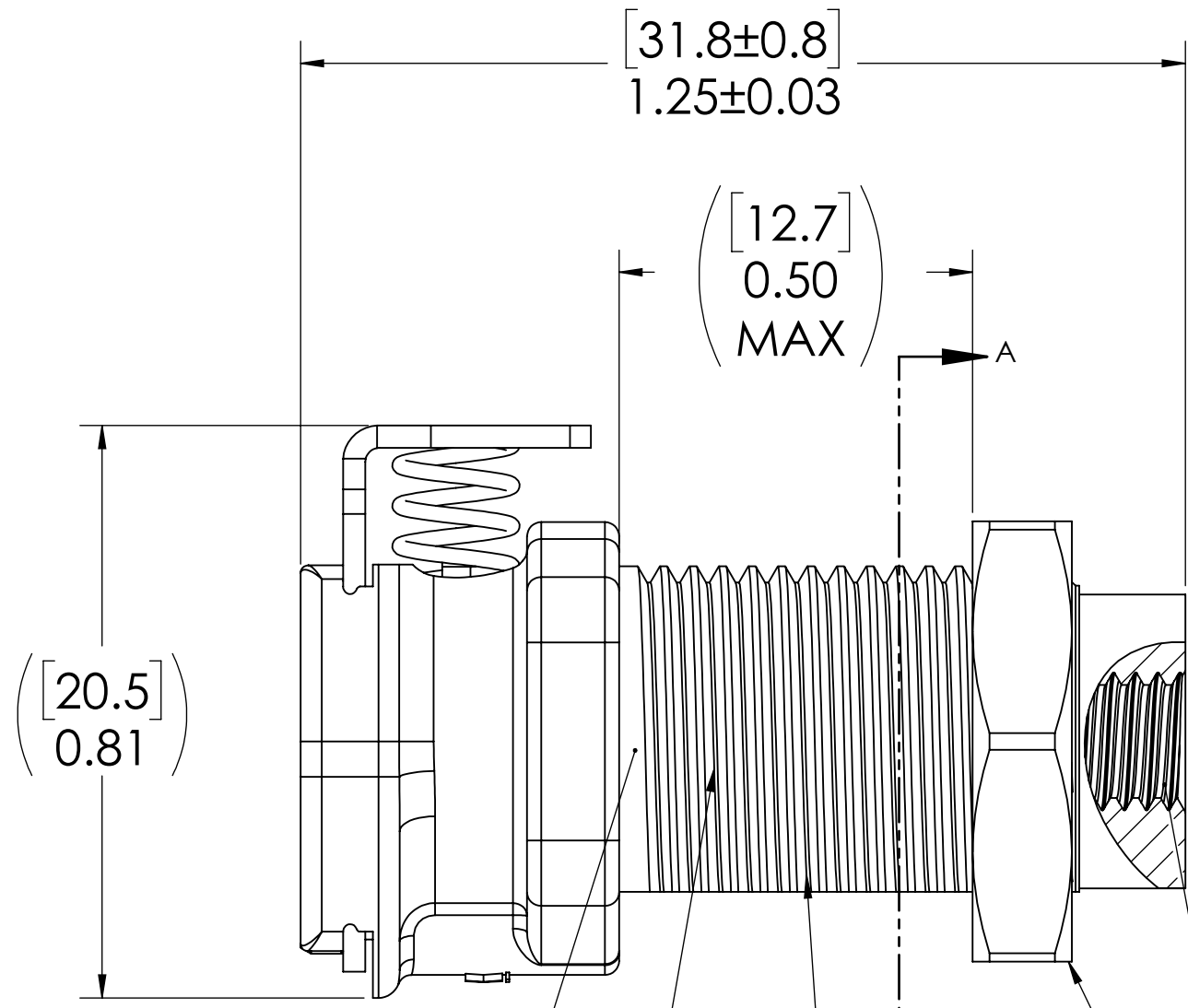


SOCKET,  
(ACETAL)



[15.7]  
0.62

VALVE,  
(ACETAL)



[31.8±0.8]  
1.25±0.03

[12.7]  
0.50  
MAX

[20.5]  
0.81

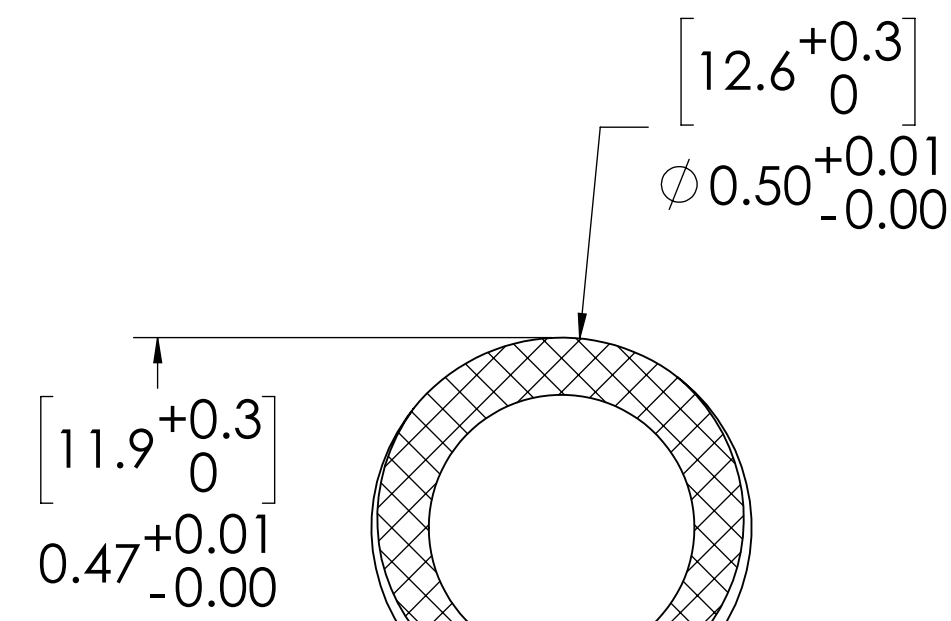
VALVE O-RING,  
INTERNAL  
(BUNA)

VALVE SPRING,  
INTERNAL  
(STAINLESS STEEL)

1/2"-24 THREAD

10-32 FEMALE THREAD

PANEL NUT,  
(BRASS, NICKEL PLATED)



SECTION A-A

**NOTES:**

1. MATERIAL: ACETAL
2. COLOR: WHITE
3. O-RING MATERIAL: BUNA-N
4. O-RING LUBRICATED WITH FOOD GRADE SILICONE OIL, 350CST

UNLESS OTHERWISE SPECIFIED: DIMENSIONS ARE IN INCHES TOLERANCES: FRACTIONAL ±1/32 ANGULAR: MACH ±0.5 BEND ±2 ONE PLACE DECIMAL ±0.1 TWO PLACE DECIMAL ±0.01 THREE PLACE DECIMAL ±0.005 TWO PLACE DUAL (mm) [±0.12]	DRAWN	RDA	5/2/2017	 PART NO: 20ACV-SB19-1032 DESCRIPTION: LinkTech 20AC Series Panel Mt. Female, Female Thread, Valved, 10/32, Natural Acetal
	CHECKED	HRC	5/2/2017	
	ENG APPR.	HRC	05-17-17	
	MFG APPR.	BDB	05-17-17	
PROPRIETARY AND CONFIDENTIAL THE INFORMATION CONTAINED IN THIS DRAWING IS THE SOLE PROPERTY OF LINKTECH LLC. ANY REPRODUCTION OR DISCLOSURE IN PART OR AS A WHOLE WITHOUT THE WRITTEN PERMISSION OF LINKTECH LLC IS STRICTLY PROHIBITED.	Q.A.	JJB	05-17-17	SIZE DWG. NO. REV <b>C</b> 20AC200289 <b>A</b>
COMMENTS:			SCALE: NTS WEIGHT: SHEET 1 OF 1	